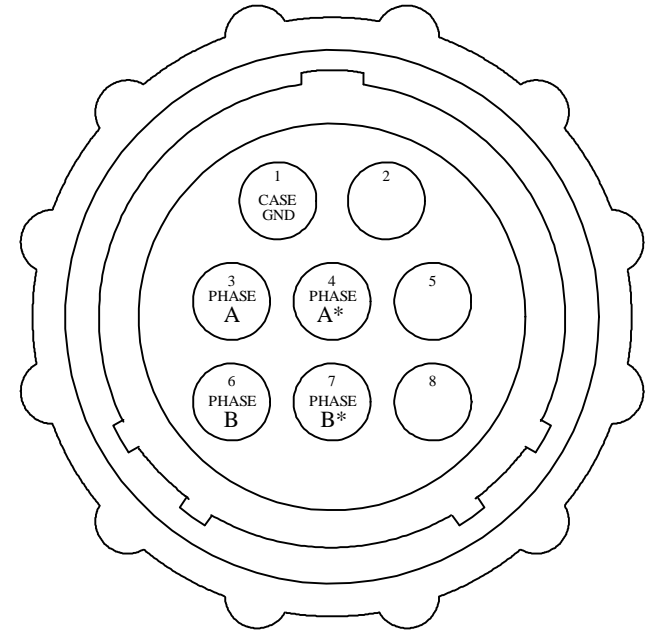
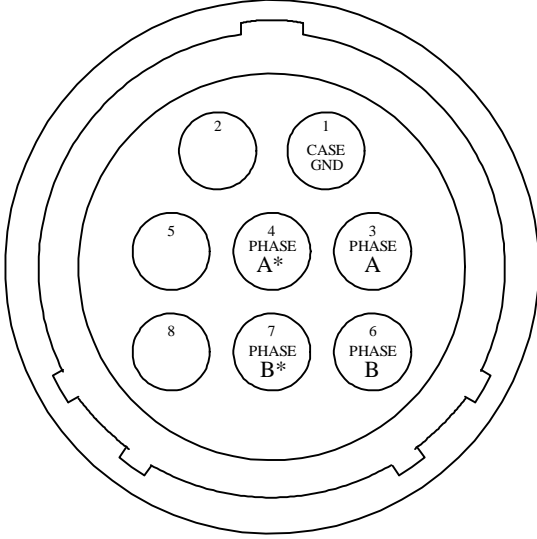


Female Flanged Panel Mount w/ Threads Amp P/N 206433-1 Size 11-8 "Reverse Sex" Socket 8 each Socket Contact 665693  
Male Cable Mount w/ Locking Ring Amp P/N 206434-1 Size 11-8 "Reverse Sex" Plug 8 each Pin Contact 665703 Backshell, Size 11, 206062-6  
Female Cable Mount w/ Threads Amp P/N 206433-2 Size 11-8 "Reverse Sex" Socket 8 each Socket Contact 665693 Backshell, Size 11, 206062-6  
Male Cable Mount w/ Locking Ring Amp P/N 206434-1 Size 11-8 "Reverse Sex" Plug 8 each Pin Contact 665703 Backshell, Size 11, 206062-6

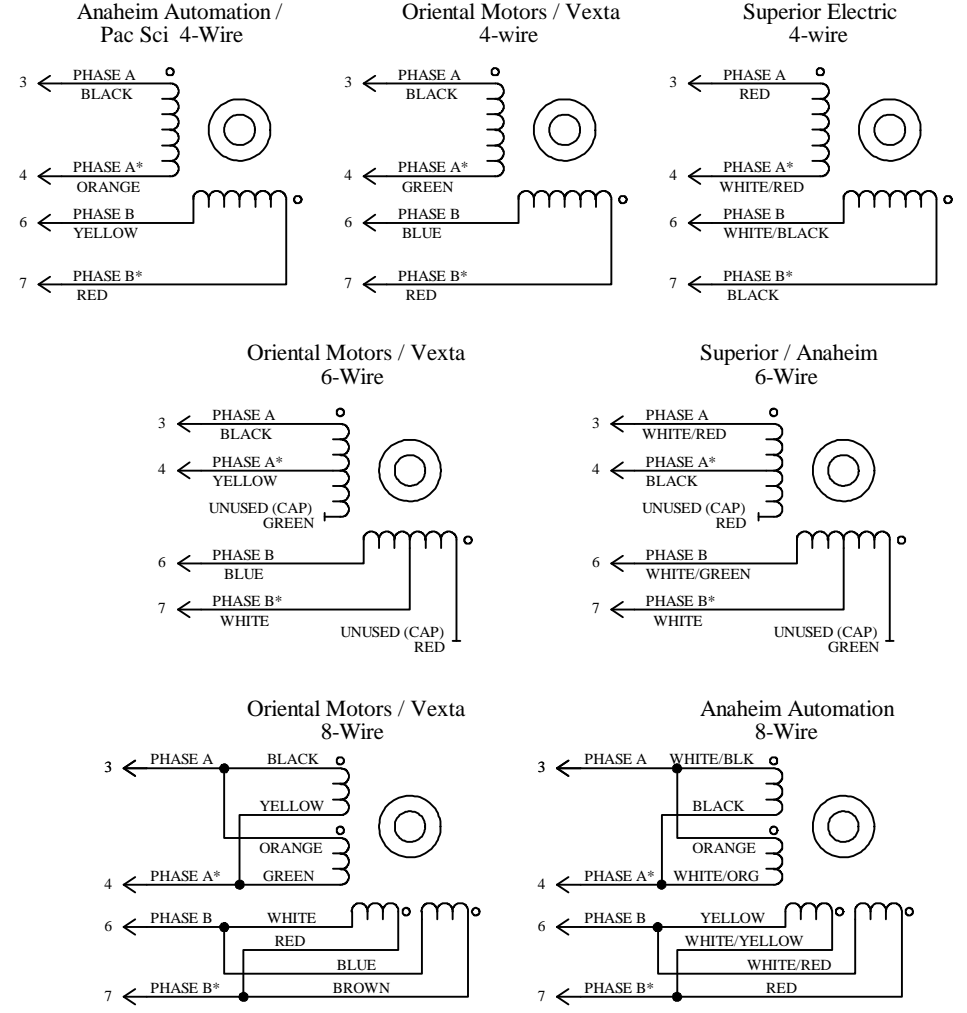


Connector on MOTOR, Amp P/N 206434-1  
Male w/ pins and locking ring, as seen from outside mating face



Connector on DRIVER BOX, Amp P/N 206433-1  
Female w/ sockets and threaded body, as seen from outside mating face

Typical Windings for Small 1A Steppers



Retail sources for connectors: North & South America: Mouser Electronics - mouser.com DigiKey Electronics - digikey.com Allied Electronics - alliedelec.com  
Europe: Mouser Electronics - eu.mouser.com/localsites RS Components - rs-components.com  
Asia: Mouser Electronics - hk.mouser.com RS Components (mandarin) - china.rs-online.com RS Components (Japanese) - jp.rs-online.com  
Africa: RS Components - za.rs-online.com  
Australasia: RS Components - australia.rs-online.com

**Dragon Stop Motion**  
( Engineering Group )

TITLE: **1 Amp Step Motor Motor Cable**

SIZE <b>B</b>	DRAWN: ENGR:	DRAWING NUMBER	REV.
SCALE:	DATE: 05-JUN-10	SHEET 1 OF 1	PART NO.